



Industry-leading efficacy, incredible value. The low-cost floodlight family just upped its game. PIPXL™ - up to 16,600 lumens and 100W of affordable LED light.

Color: Bronze

Weight: 20.6 lbs

**Project:**

**Type:**

**Prepared By:**

**Date:**

#### Driver Info

Type	Constant Current
120V	0.93A
208V	0.56A
240V	0.49A
277V	0.41A
Input Watts	110.80W
Efficiency	90%

#### LED Info

Watts	100.00W
Color Temp	5000K (Cool)
Color Accuracy	78 CRI
L70 Lifespan	60,000
Lumens	15,839
Efficacy	143 LPW

## Technical Specifications

### Listings

#### UL Listing:

Suitable for wet locations. Suitable for ground mounting.

#### IESNA LM-79 & LM-80 Testing:

RAB LED luminaires and LED components have been tested by an independent laboratory in accordance with IESNA LM-79 and LM-80.

#### DLC Listed:

This product is listed by Design Lights Consortium (DLC) as an ultra-efficient premium product that qualifies for the highest tier of rebates from DLC Member Utilities. DLC Product Code: P2PSU64X

### Electrical

#### Dimming Driver:

Driver includes dimming control wiring for 0-10V dimming systems. Requires separate 0-10V DC dimming circuit. Dims as low as 10%.

#### Power Factor:

96.9% at 480V

#### Surge Protection:

4kV

#### Note:

All values are typical (tolerance +/- 10%)

### LED Characteristics

#### LEDs:

Long-life, high-efficacy surface mount LEDs

#### Lifespan:

60,000-hour LED lifespan based on IES LM-80 results and TM-21 calculations

#### Color Uniformity:

RAB's range of CCT (Correlated Color Temperature) follows the guidelines of the American National Standard for Specifications for the Chromaticity of Solid State Lighting (SSL) Products, ANSI C78.377-2017.

### Optical

#### NEMA Type:

7H x 6V Beam Spread

### Construction

#### IP Rating:

Ingress Protection rating of IP66 for dust and water

#### Thermal Management:

Superior thermal management with external "Air-Flow" fins

#### Maximum Ambient Temperature:

Suitable for use in 40°C (104°F)

### Cold Weather Starting:

The minimum starting temperature is -30°C (-22°F)

#### Housing:

Precision die-cast aluminum housing

#### Lens:

Two (2) clear acrylic lens with integrated optics

#### Mounting:

Heavy-duty Trunnion mount with stainless steel hardware

#### Effective Projected Area:

EPA = 1.2

## Technical Specifications (continued)

### Construction

#### Gaskets:

High-temperature silicone gaskets

#### Green Technology:

Mercury and UV free. RoHS-compliant components.

### Finish:

Formulated for high durability and long-lasting color

### Other

#### 5 Yr Limited Warranty:

The RAB 5-year, limited warranty covers light output, driver performance and paint finish. RAB's warranty is subject to all terms and conditions found at [rablighting.com/warranty](http://rablighting.com/warranty).

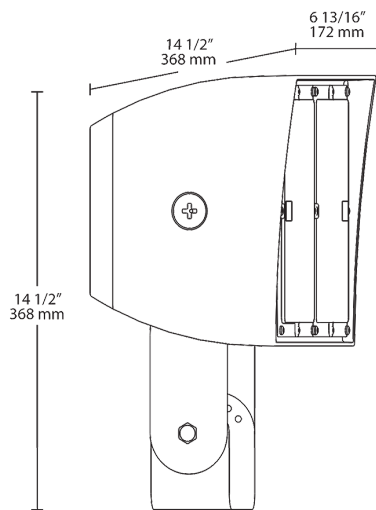
### Equivalency:

Equivalent to 750W Pulse Start Metal Halide

### Buy American Act Compliance:

RAB values USA manufacturing! Upon request, RAB may be able to manufacture this product to be compliant with the Buy American Act (BAA). Please contact customer service to request a quote for the product to be made BAA compliant.

## Dimensions



## Features

- Ultra-high efficiency
- DLC Premium
- 0-10V Dimming, standard
- 60,000-Hour LED lifespan
- 5-Year, Limited Warranty

## Ordering Matrix

Family	Wattage	Mount	Color Temp	Finish	Driver	Options	Other Options
PIPXL	100	T			/D10		
	70 = 70W 100 = 100W	SF = Slipfitter T = Trunnion	Blank = 5000K (Cool) N = 4000K (Neutral) Y = 3000K (Warm)	Blank = Bronze W = White	/D10 = Dimmable 120-277V /480/D10 = Dimmable 480V	Blank = No Options /PCU = 120-277V Button Photocell /PCT = 120-277V Twistlock photocell /PCT4 = 480V Twistlock photocell /7PR = 7-Pin Receptacle /BL = Bi-Level /LC = Lightcloud®	USA = BAA Compliant Blank = Standard